



Endüstriyel Hidrolik Industrial Hydraulics

Mobil Hidrolik Mobile Hydraulics

Demir Çelik Sektörü Iron Steel Industry

Maden Sektörü Mining Industry

Petrol ve Gaz Sektörü Oil and Gas Industry

Makina Sektörü Machine Industry

Otomasyon Automation

Enerji Sektörü Energy Industry

Yağlama Sistemleri Lubrication Systems

Marin Sektörü Marine Industry

HİDROVAT

Kalite ve güveni birleştirdik

Hidrolik Bağlantı Elemanları

Hydraulic Pipe Clamps

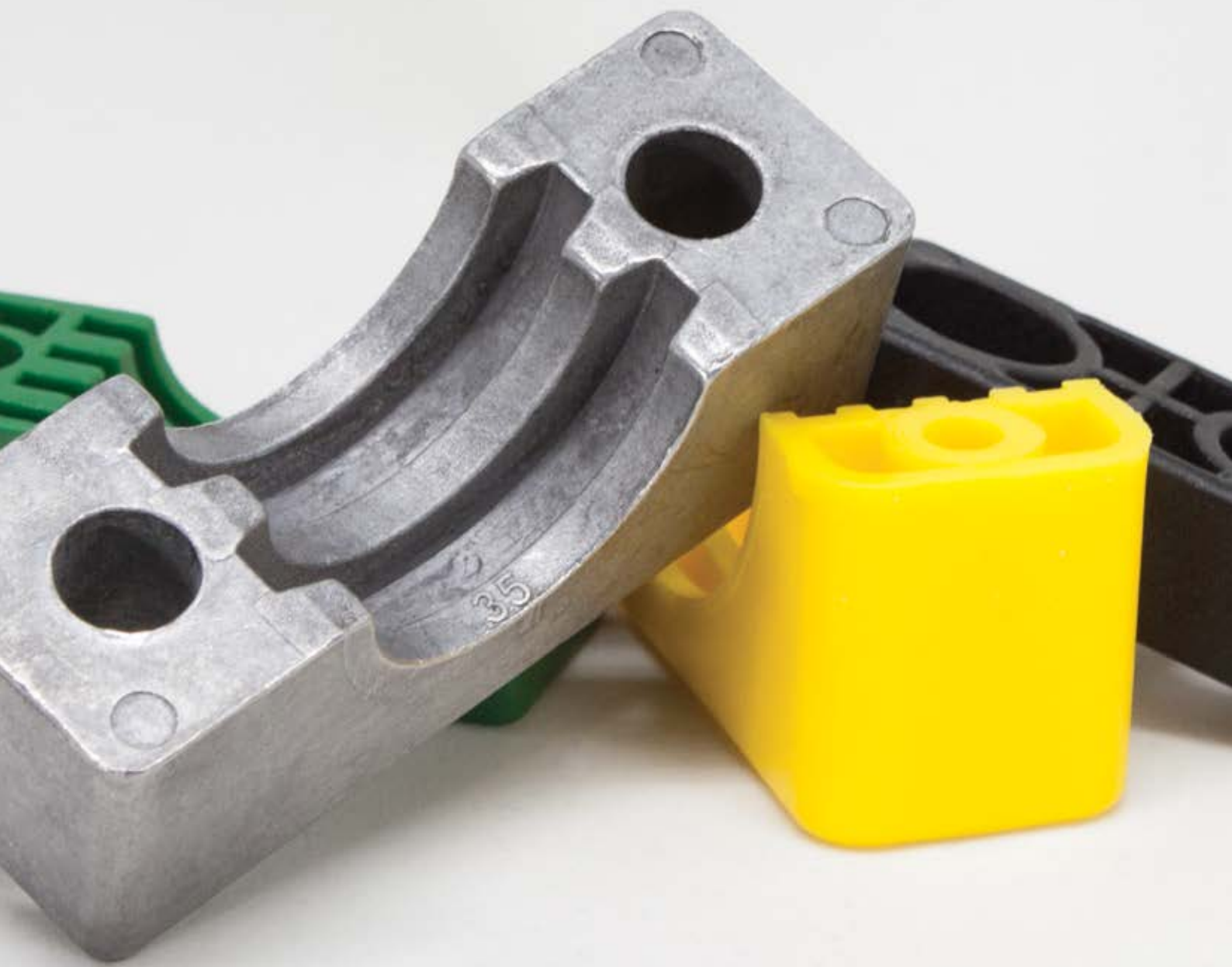
www.hidrovat.com.tr



Standart Seri

Standard Series

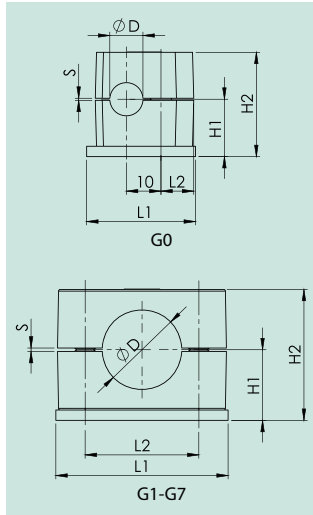






Komple Kelepçe

Standard Series PP Pipe
Complete Clamp DIN 3015/1

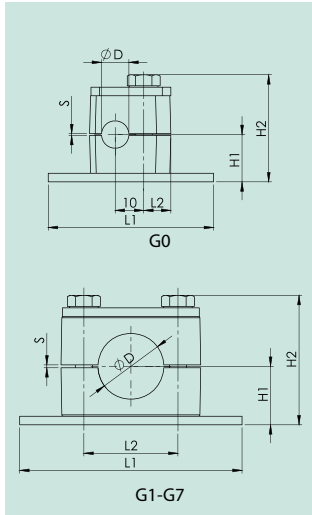


Grup Group	Ürün Kodu Product Code	Dış Çap O.D of Pipe mm	Boru Diş Nominal Bore Pipe Inches	Ölçü Tablosu / Dimension Table				
				L1	L2	H1	H2	S min.
G0	HBKPPSTTL0006	6		31,5	9,5	16	29	0,4
	HBKPPSTTL0008	8						
	HBKPPSTTL0010	10	1/8					
	HBKPPSTTL0012	12						
G1	HBKPPSTTL0106	6		37,5	20	16,5	30	0,4
	HBKPPSTTL0108	8						
	HBKPPSTTL0110	10	1/8					
	HBKPPSTTL0112	12						
G2	HBKPPSTTL0212.7	12.7		42.2	26	19,5	36	0,6
	HBKPPSTTL0213,5	13.5	1/4					
	HBKPPSTTL0214	14						
	HBKPPSTTL0215	15						
	HBKPPSTTL0216	16						
	HBKPPSTTL0217.2	17.2	3/8					
G3	HBKPPSTTL0319	19		50,5	33	21	39	0,6
	HBKPPSTTL0320	20						
	HBKPPSTTL0321.3	21.3	1/2					
	HBKPPSTTL0322	22						
G4	HBKPPSTTL0426.9	26.9	3/4	59	40	24	45	0,6
	HBKPPSTTL0428	28						
	HBKPPSTTL0430	30						
G5	HBKPPSTTL0532	32		72,2	52	30	57	0,8
	HBKPPSTTL0533.7	33.7	1					
	HBKPPSTTL0535	35						
	HBKPPSTTL0538	38						
	HBKPPSTTL0540	40						
	HBKPPSTTL0542	42	1-1/4					
G6	HBKPPSTTL0644.5	44.5		88	66	36	69	0,8
	HBKPPSTTL0648.3	48,3	1-1/2					
	HBKPPSTTL0650.8	50,8						
	HBKPPSTTL0654	54						
G7	HBKPPSTTL0760.3	60.3	2	121	94	49,5	99	0,8
	HBKPPSTTL0763.5	63.5						
	HBKPPSTTL0776.1	76.1	2-1/2					



Çift Lamalı Kelepçe

Double Plated Clamp

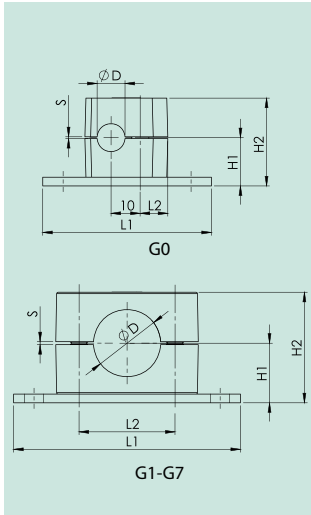


Grup Group	Ürün Kodu Product Code	Diş Çap O.D of Pipe mm	Boru Diş Nominal Bore Pipe Inches	Ölçü Tablosu / Dimension Table				
				L1	L2	H1	H2	S min.
G0	HBKPPSTÇL0006	6		31,5	9,5	16,5	36	0,4
	HBKPPSTÇL0008	8						
	HBKPPSTÇL0010	10	1/8					
	HBKPPSTÇL0012	12						
G1	HBKPPSTÇL0106	6		37,5	20	16,5	37	0,4
	HBKPPSTÇL0108	8						
	HBKPPSTÇL0110	10	1/8					
	HBKPPSTÇL0112	12						
G2	HBKPPSTÇL0212.7	12.7		42,2	26	19,5	43	0,6
	HBKPPSTÇL0213.5	13.5	1/4					
	HBKPPSTÇL0214	14						
	HBKPPSTÇL0215	15						
	HBKPPSTÇL0216	16						
	HBKPPSTÇL0217.2	17.2	3/8					
G3	HBKPPSTÇL0319	19		50,5	33	21	46	0,6
	HBKPPSTÇL0320	20						
	HBKPPSTÇL0321.3	21.3	1/2					
	HBKPPSTÇL0322	22						
	HBKPPSTÇL0325	25						
G4	HBKPPSTÇL0426.9	26.9	3/4	59	40	24	52	0,6
	HBKPPSTÇL0428	28						
	HBKPPSTÇL0430	30						
G5	HBKPPSTÇL0532	32		72,2	52	30	64	0,8
	HBKPPSTÇL0533.7	33.7	1					
	HBKPPSTÇL0535	35						
	HBKPPSTÇL0538	38						
	HBKPPSTÇL0540	40						
	HBKPPSTÇL0542	42	1-1/4					
G6	HBKPPSTÇL0644.5	44.5		88	66	36	76	0,8
	HBKPPSTÇL0648.3	48,3	1-1/2					
	HBKPPSTÇL0650.8	50,8						
	HBKPPSTÇL0654	54						
G7	HBKPPSTÇL0760.3	60.3	2	121	94	49,5	108	0,8
	HBKPPSTÇL0763.5	63.5						
	HBKPPSTÇL0776.1	76.1	2-1/2					



Montaj Delikli Kelepçe

Complete Clamp With Elongated Weld Plate

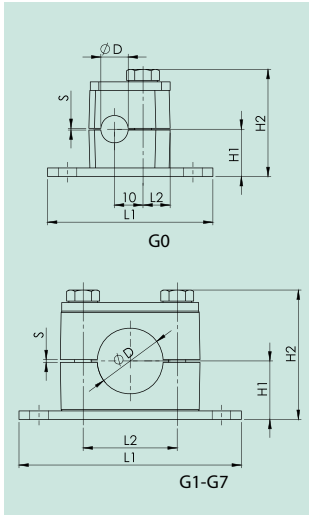


Grup Group	Ürün Kodu Product Code	Dış Çap O.D of Pipe mm	Boru Dış Nominal Bore Pipe Inches	Ölçü Tablosu / Dimension Table				
				L1	L2	H1	H2	S min.
G0	HBKPPSTMNDL0006	6		58	9,5	16	29	0,4
	HBKPPSTMNDL0008	8						
	HBKPPSTMNDL0010	10	1/8					
	HBKPPSTMNDL0012	12						
G1	HBKPPSTMNDL0106	6		64	20	16,5	30	0,4
	HBKPPSTMNDL0108	8						
	HBKPPSTMNDL0110	10	1/8					
	HBKPPSTMNDL0112	12						
G2	HBKPPSTMNDL0212.7	12.7		70	26	19,5	36	0,6
	HBKPPSTMNDL0213.5	13.5	1/4					
	HBKPPSTMNDL0214	14						
	HBKPPSTMNDL0215	15						
	HBKPPSTMNDL0216	16						
	HBKPPSTMNDL0217.2	17.2	3/8					
G3	HBKPPSTMNDL0319	19		78	33	21	39	0,6
	HBKPPSTMNDL0320	20						
	HBKPPSTMNDL0321.3	21.3	1/2					
	HBKPPSTMNDL0322	22						
	HBKPPSTMNDL0325	25						
G4	HBKPPSTMNDL0426.9	26.9	3/4	87	40	24	45	0,6
	HBKPPSTMNDL0428	28						
	HBKPPSTMNDL0430	30						
G5	HBKPPSTMNDL0532	32		100	52	30	57	0,8
	HBKPPSTMNDL0533.7	33.7	1					
	HBKPPSTMNDL0535	35						
	HBKPPSTMNDL0538	38						
	HBKPPSTMNDL0540	40						
	HBKPPSTMNDL0542	42	1-1/4					
G6	HBKPPSTMNDL0644.5	44.5		115	66	36	69	0,8
	HBKPPSTMNDL0648.3	48,3	1-1/2					
	HBKPPSTMNDL0650.8	50,8						
	HBKPPSTMNDL0654	54						
G7	HBKPPSTMNDL0760.3	60.3	2	150	94	51,5	99	0,8
	HBKPPSTMNDL0763.5	63.5						
	HBKPPSTMNDL0776.1	76.1	2-1/2					



Çift Lamalı Montaj Delikli Kelepçe

Double Plated Clamp With Elongated Weld Plate



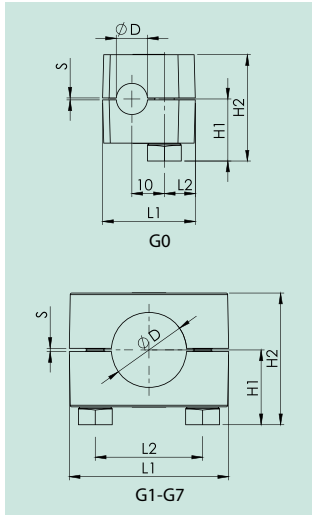
Grup Group	Ürün Kodu Product Code	Diş Çap O.D of Pipe mm	Boru Diş Nominal Bore Pipe Inches	Ölçü Tablosu / Dimension Table				
				L1	L2	H1	H2	S min.
G0	HBKPPSTÇLMNDL0006	6		58	9,5	16,5	36	0,4
	HBKPPSTÇLMNDL0008	8						
	HBKPPSTÇLMNDL0010	10	1/8					
	HBKPPSTÇLMNDL0012	12						
G1	HBKPPSTÇLMNDL0106	6		64	20	16,5	37	0,4
	HBKPPSTÇLMNDL0108	8						
	HBKPPSTÇLMNDL0110	10	1/8					
	HBKPPSTÇLMNDL0112	12						
G2	HBKPPSTÇLMNDL0212.7	12.7		70	26	19,5	43	0,6
	HBKPPSTÇLMNDL0213.5	13.5	1/4					
	HBKPPSTÇLMNDL0214	14						
	HBKPPSTÇLMNDL0215	15						
	HBKPPSTÇLMNDL0216	16						
	HBKPPSTÇLMNDL0217.2	17.2	3/8					
G3	HBKPPSTÇLMNDL0319	19		78	33	21	46	0,6
	HBKPPSTÇLMNDL0320	20						
	HBKPPSTÇLMNDL0321.3	21.3	1/2					
	HBKPPSTÇLMNDL0322	22						
	HBKPPSTÇLMNDL0325	25						
G4	HBKPPSTÇLMNDL0426.9	26.9	3/4	87	40	24	52	0,6
	HBKPPSTÇLMNDL0428	28						
	HBKPPSTÇLMNDL0430	30						
G5	HBKPPSTÇLMNDL0532	32		100	52	30	64	0,8
	HBKPPSTÇLMNDL0533.7	33.7	1					
	HBKPPSTÇLMNDL0535	35						
	HBKPPSTÇLMNDL0538	38						
	HBKPPSTÇLMNDL0540	40						
G6	HBKPPSTÇLMNDL0542	42	1-1/4	115	66	36	76	0,8
	HBKPPSTÇLMNDL0644.5	44.5						
	HBKPPSTÇLMNDL0648.3	48,3	1-1/2					
	HBKPPSTÇLMNDL0650.8	50,8						
G7	HBKPPSTÇLMNDL0654	54		150	94	51,5	108	0,8
	HBKPPSTÇLMNDL0760.3	60.3	2					
	HBKPPSTÇLMNDL0763.5	63.5						
	HBKPPSTÇLMNDL0776.1	76.1	2-1/2					





Raya Uyumlu Kelepçe

Clamp With Rail Nut



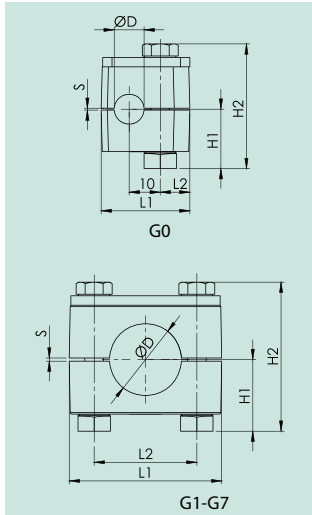
Grup Group	Ürün Kodu Product Code	Dış Çap O.D of Pipe mm	Boru Diş Nominal Bore Pipe Inches	Ölçü Tablosu / Dimension Table				
				L1	L2	H1	H2	S min.
G0	HBKSTRAY0006	6		28	9,5	18	31	0,4
	HBKSTRAY0008	8						
	HBKSTRAY0010	10	1/8					
	HBKSTRAY0012	12						
G1	HBKSTRAY0106	6		37	20	18,5	32	0,4
	HBKSTRAY0108	8						
	HBKSTRAY0110	10	1/8					
	HBKSTRAY0112	12						
G2	HBKSTRAY0212.7	12.7		42	26	21.5	38	0,6
	HBKSTRAY0213.5	13.5	1/4					
	HBKSTRAY0214	14						
	HBKSTRAY0215	15						
	HBKSTRAY0216	16						
	HBKSTRAY0217.2	17.2	3/8					
G3	HBKSTRAY0319	19		50	33	23	41	0,6
	HBKSTRAY0320	20						
	HBKSTRAY0321.3	21.3	1/2					
	HBKSTRAY0322	22						
	HBKSTRAY0325	25						
G4	HBKSTRAY0426.9	26.9	3/4	58,5	40	26	47	0,6
	HBKSTRAY0428	28						
	HBKSTRAY0430	30						
G5	HBKSTRAY0532	32		70	52	32	59	0,8
	HBKSTRAY0533.7	33.7	1					
	HBKSTRAY0535	35						
	HBKSTRAY0538	38						
	HBKSTRAY0540	40						
	HBKSTRAY0542	42	1-1/4					
G6	HBKSTRAY0644.5	44.5		84	66	38	71	0,8
	HBKSTRAY0648.3	48,3	1-1/2					
	HBKSTRAY0650.8	50,8						
	HBKSTRAY0654	54						
G7	HBKSTRAY0760.3	60.3	2	121	94	51,5	101	0,8
	HBKSTRAY0763.5	63.5						
	HBKSTRAY0776.1	76.1	2-1/2					





Raya Uyumlu Üst Lamalı Kelepçe

Clamp With Cover Plate + Rail Nut



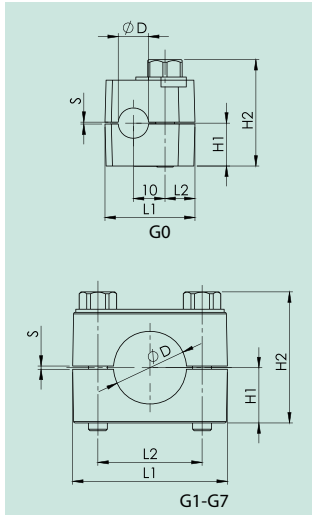
Grup Group	Ürün Kodu Product Code	Dış Çap O.D of Pipe mm	Boru Diş Nominal Bore Pipe Inches	Ölçü Tablosu / Dimension Table				
				L1	L2	H1	H2	S min.
G0	HBKSTRAYL0006	6		28	9,5	18	38	0,4
	HBKSTRAYL0008	8						
	HBKSTRAYL0010	10	1/8					
	HBKSTRAYL0012	12						
G1	HBKSTRAYL0106	6		37	20	18,5	39	0,4
	HBKSTRAYL0108	8						
	HBKSTRAYL0110	10	1/8					
	HBKSTRAYL0112	12						
G2	HBKSTRAYL0212.7	12.7		42	26	21,5	45	0,6
	HBKSTRAYL0213.5	13.5	1/4					
	HBKSTRAYL0214	14						
	HBKSTRAYL0215	15						
	HBKSTRAYL0216	16						
	HBKSTRAYL0217.2	17.2	3/8					
G3	HBKSTRAYL0319	19		50	33	23	48	0,6
	HBKSTRAYL0320	20						
	HBKSTRAYL0321.3	21.3	1/2					
	HBKSTRAYL0322	22						
	HBKSTRAYL0325	25						
G4	HBKSTRAYL0426.9	26.9	3/4	58,5	40	26	54	0,6
	HBKSTRAYL0428	28						
	HBKSTRAYL0430	30						
G5	HBKSTRAYL0532	32		70	52	32	56	0,8
	HBKSTRAYL0533.7	33.7	1					
	HBKSTRAYL0535	35						
	HBKSTRAYL0538	38						
	HBKSTRAYL0540	40						
	HBKSTRAYL0542	42	1-1/4					
G6	HBKSTRAYL0644.5	44.5		84	66	38	78	0,8
	HBKSTRAYL0648.3	48,3	1-1/2					
	HBKSTRAYL0650.8	50,8						
	HBKSTRAYL0654	54						
G7	HBKSTRAYL0760.3	60.3	2	121	94	54,5	110	0,8
	HBKSTRAYL0763.5	63.5						
	HBKSTRAYL0776.1	76.1	2-1/2					





Ara Plakalı Kelepçe

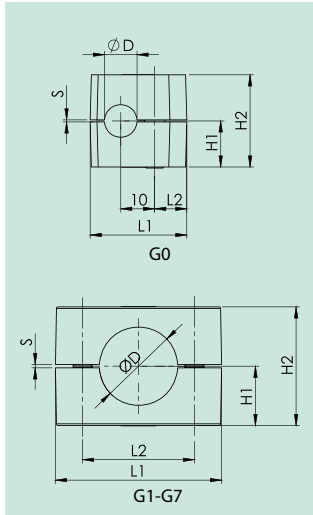
Clamp Cover Set



Grup Group	Ürün Kodu Product Code	Diş Çap O.D of Pipe mm	Boru Diş Nominal Bore Pipe Inches	Ölçü Tablosu / Dimension Table				
				L1	L2	H1	H2	S min.
G0	ABLST0006	6		28	9,5	16	35,5	0,4
	ABLST0008	8						
	ABLST0010	10	1/8					
	ABLST0012	12						
G1	ABLST0106	6		37	20	16,5	34,5	0,4
	ABLST0108	8						
	ABLST0110	10	1/8					
	ABLST0112	12						
G2	ABLST0212,7	12.7		42	26	19,5	42,5	0,6
	ABLST0213.5	13.5	1/4					
	ABLST0214	14						
	ABLST0215	15						
	ABLST0216	16						
	ABLST0217,2	17.2	3/8					
G3	ABLST0319	19		50	33	21	45,5	0,6
	ABLST0320	20						
	ABLST0321,3	21.3	1/2					
	ABLST0322	22						
	ABLST0325	25						
G4	ABLST0426,9	26.9	3/4	59	40	24	51,5	0,6
	ABLST0428	28						
	ABLST0430	30						
G5	ABLST0532	32		70	52	30	63,5	0,8
	ABLST0533,7	33.7	1					
	ABLST0535	35						
	ABLST0538	38						
	ABLST0540	40						
ABLST0542	42	1-1/4						
G6	ABLST0644,5	44.5		84	66	36	75,5	0,8
	ABLST0648,3	48,3	1-1/2					
	ABLST0650,8	50,8						
	ABLST0654	54						
G7	ABLST0760,3	60.3	2	121	94	49,5	105,5	0,8
	ABLST0763,5	63.5						
	ABLST0776,1	76.1	2-1/2					

Kelepçe Gövdesi

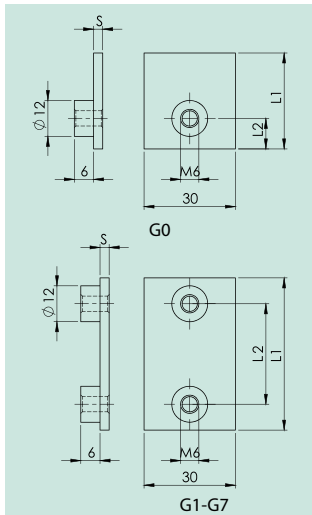
Clamp Body



Grup Group	Ürün Kodu Product Code	Dış Çap O.D of Pipe mm	Boru Diş Nominal Bore Pipe Inches	Ölçü Tablosu / Dimension Table				
				L1	L2	H1	H2	S min.
G0	HBKPPSTGÖV0006	6		28	9,5	13	26	0,4
	HBKPPSTGÖV0008	8						
	HBKPPSTGÖV0010	10	1/8					
	HBKPPSTGÖV0012	12						
G1	HBKPPSTGÖV0106	6		37	20	13,5	27	0,4
	HBKPPSTGÖV0108	8						
	HBKPPSTGÖV0110	10	1/8					
	HBKPPSTGÖV0112	12						
G2	HBKPPSTGÖV0212.7	12.7		42	26	16,5	33	0,6
	HBKPPSTGÖV0213,5	13.5	1/4					
	HBKPPSTGÖV0214	14						
	HBKPPSTGÖV0215	15						
	HBKPPSTGÖV0216	16						
	HBKPPSTGÖV0217.2	17.2	3/8					
G3	HBKPPSTGÖV0319	19		50	33	18	36	0,6
	HBKPPSTGÖV0320	20						
	HBKPPSTGÖV0321.3	21.3	1/2					
	HBKPPSTGÖV0322	22						
	HBKPPSTGÖV0325	25						
G4	HBKPPSTGÖV0426.9	26.9	3/4	58,5	40	21	42	0,6
	HBKPPSTGÖV0428	28						
	HBKPPSTGÖV0430	30						
G5	HBKPPSTGÖV0532	32		70	52	27	54	0,8
	HBKPPSTGÖV0533.7	33.7	1					
	HBKPPSTGÖV0535	35						
	HBKPPSTGÖV0538	38						
	HBKPPSTGÖV0540	40						
	HBKPPSTGÖV0542	42	1-1/4					
G6	HBKPPSTGÖV0644.5	44.5		84	66	33	66	0,8
	HBKPPSTGÖV0648.3	48,3	1-1/2					
	HBKPPSTGÖV0650.8	50,8						
	HBKPPSTGÖV0654	54						
G7	HBKPPSTGÖV0760.3	60.3	2	121	94	46,5	94	0,8
	HBKPPSTGÖV0763.5	63.5						
	HBKPPSTGÖV0776.1	76.1	2-1/2					

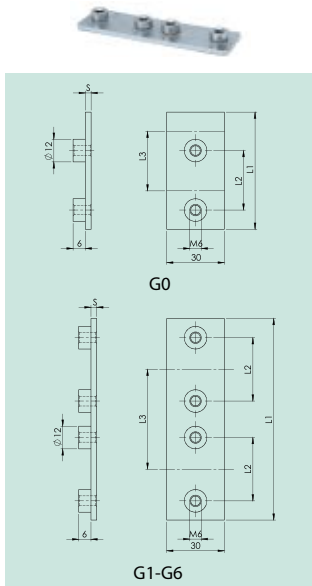


Alt Lama
Weld Plate



Grup Group	Ürün Kodu Product Code	Diş Çap O.D of Pipe mm	Boru Diş Nominal Bore Pipe Inches	Ölçü Tablosu / Dimension Table			
				L1	L2	S	G
G0	KALSTG0	6		31,5	10,5	3	M6 1/4-20 UNC
		8					
		10	1/8				
		12					
G1	KALSTG1	6		37,5	20	3	M6 1/4-20 UNC
		8					
		10	1/8				
		12					
G2	KALSTG2	12.7		42,2	26	3	M6 1/4-20 UNC
		13.5	1/4				
		14					
		15					
		16					
		17.2	3/8				
G3	KALSTG3	19		50,5	33	3	M6 1/4-20 UNC
		20					
		21.3	1/2				
		22					
		25					
G4	KALSTG4	26.9	3/4	59	40	3	M6 1/4-20 UNC
		28					
		30					
G5	KALSTG5	32		72,2	52	3	M6 1/4-20 UNC
		33.7	1				
		35					
		38					
		40					
G6	KALSTG6	42	1-1/4	88	66	3	M6 1/4-20 UNC
		44.5					
		48,3	1-1/2				
		50,8					
G7	KALSTG7	54		121	94	5	M6 1/4-20 UNC
		60.3	2				
		63.5					
		76.1	2-1/2				

İkili Alt Lama
Twin Weld Plate

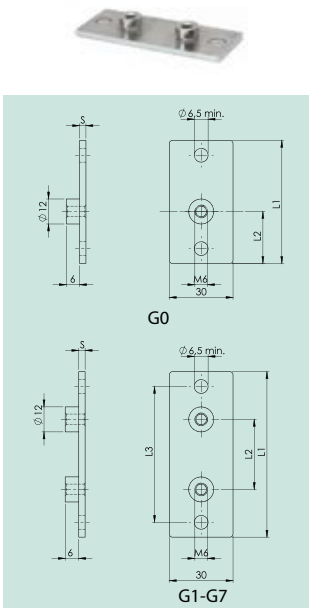


Grup Group	Ürün Kodu Product Code	Dış Çap O.D of Pipe mm	Boru Diş Nominal Bore Pipe Inches	Ölçü Tablosu / Dimension Table			
				L1	L2	L3	G
G0	KALSTİKİG0	6	1/8	61	31	31	M6 1/4-20 UNC
		8					
		10					
		12					
G1	KALSTİKİG1	6	1/8	77	20	37	M6 1/4-20 UNC
		8					
		10					
		12					
G2	KALSTİKİG2	12.7	1/4	90	26	44	M6 1/4-20 UNC
		13.5					
		14					
		15	3/8				
		16					
		17.2					
18							
G3	KALSTİKİG3	19	1/2	105	33	52	M6 1/4-20 UNC
		20					
		21.3					
		22					
		25					
G4	KALSTİKİG4	26.9	3/4	120	40	60	M6 1/4-20 UNC
		28					
		30					
G5	KALSTİKİG5	32	1	147	52	75	M6 1/4-20 UNC
		33.7					
		35					
		38					
		40					
42	1-1/4						
G6	KALSTİKİG6	44.5	1-1/2	178	66	90	M6 1/4-20 UNC
		48,3					
		50,8					
		54					

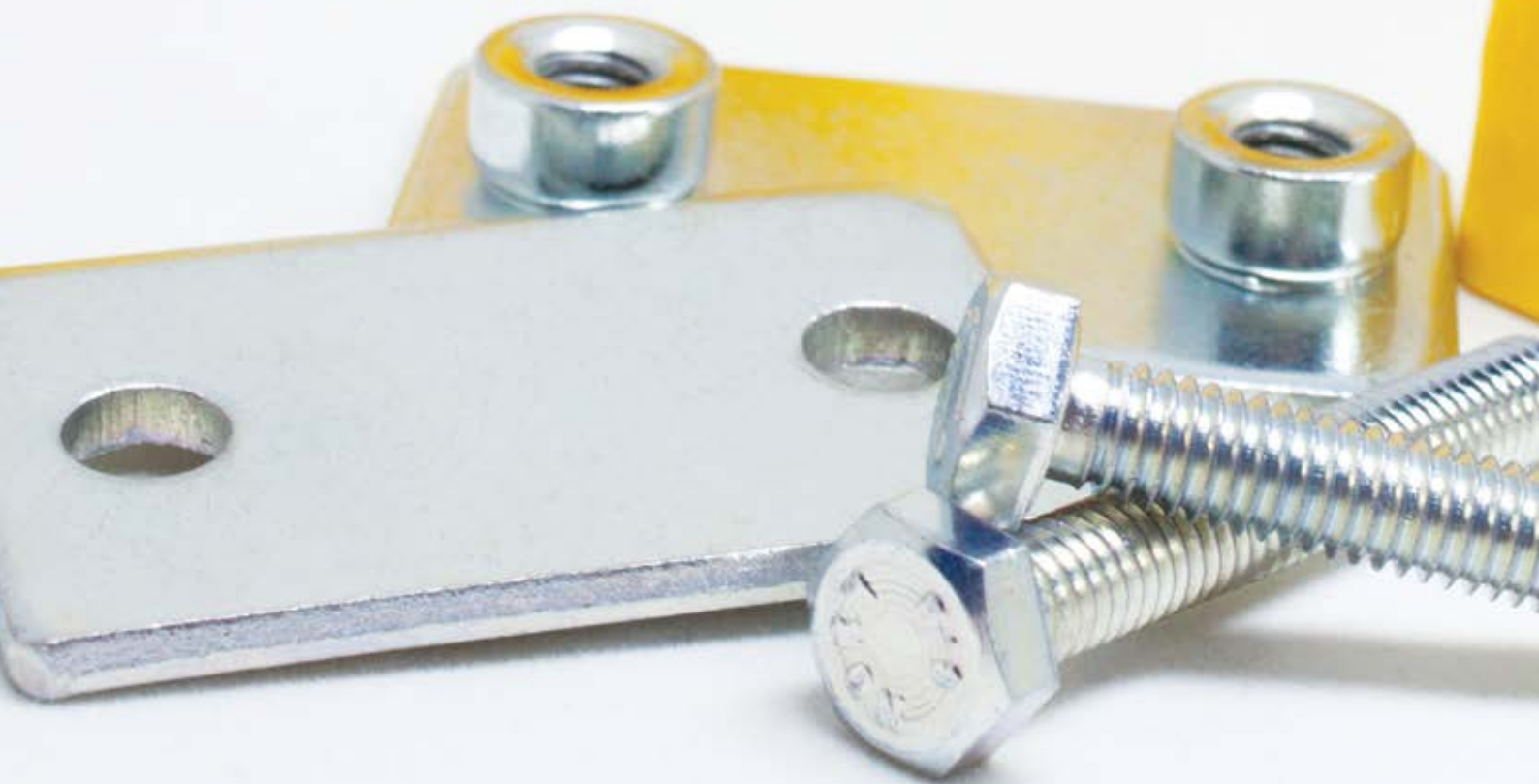


Montaj Delikli Alt Lama

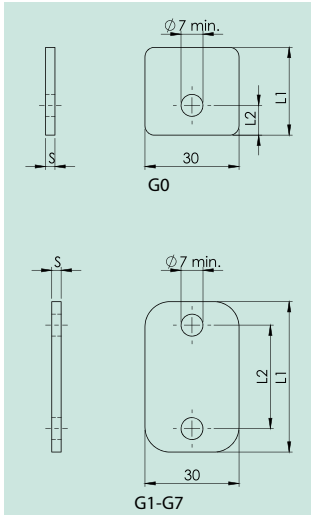
Elongated Weld Plate



Grup Group	Ürün Kodu Product Code	Dış Çap O.D of Pipe mm	Boru Diş Nominal Bore Pipe Inches	Ölçü Tablosu / Dimension Table				
				L1	L2	L3	S	G
G0	KALSTMONG0	6	1/8	58	24,5	44	3	M6 1/4-20 UNC
		8						
		10						
		12						
G1	KALSTMONG1	6	1/8	64	20	50	3	M6 1/4-20 UNC
		8						
		10						
		12						
G2	KALSTMONG2	12.7	1/4	70	26	56	3	M6 1/4-20 UNC
		13.5						
		14	3/8					
		15						
		16						
		17.2						
18								
G3	KALSTMONG3	19	1/2	78	33	64	3	M6 1/4-20 UNC
		20						
		21.3						
		22						
		25						
G4	KALSTMONG4	26.9	3/4	87	40	73	3	M6 1/4-20 UNC
		28						
		30						
G5	KALSTMONG5	32	1	100	52	86	3	M6 1/4-20 UNC
		33.7						
		35	1-1/4					
		38						
		40						
42								
G6	KALSTMONG6	44.5	1-1/2	115	66	100	3	M6 1/4-20 UNC
		48,3						
		50,8	2					
		54						
G7	KALSTMONG7	60.3	2	150	94	136	5	M6 1/4-20 UNC
		63.5	2-1/2					
		76.1						



Üst Lama
Cover Plate



Grup Group	Ürün Kodu Product Code	Dış Çap O.D of Pipe mm	Boru Diş Nominal Bore Pipe Inches	Ölçü Tablosu / Dimension Table		
				L1	L2	S
G0	KÜLSTG0	6		28	10,5	3
		8				
		10	1/8			
		12				
G1	KÜLSTG1	6		37	20	3
		8				
		10	1/8			
		12				
G2	KÜLSTG2	12.7		42	26	3
		13.5	1/4			
		14				
		15				
		16				
		17.2	3/8			
G3	KÜLSTG3	19		50	33	3
		20				
		21.3	1/2			
		22				
		25				
G4	KÜLSTG4	26.9	3/4	59	40	3
		28				
		30				
G5	KÜLSTG5	32		70	52	3
		33.7	1			
		35				
		38				
		40				
G6	KÜLSTG6	42	1-1/4	84	66	3
		44.5				
		48,3	1-1/2			
		50,8				
G7	KÜLSTG7	54		120	94	5
		60.3	2			
		63.5				
		76.1	2-1/2			

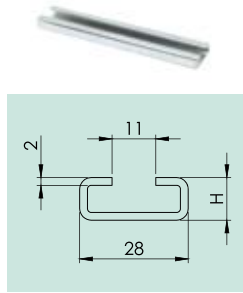




Montaj Rayı

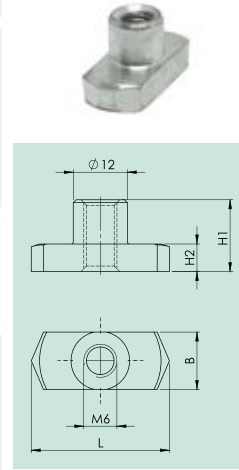
Mounting Rail

Grup Group	Ürün Kodu Product Code	Dış Çap O.D of Pipe mm	Boru Diş Nominal Bore Pipe Inches	H	Boy Length
G0	KELMR2811	6		11	1
		8			
		10	1/8		
		12			
G1	KELMR2811	6		11	1
		8			
		10	1/8		
		12			
G2	KELMR2811	12.7		11	1
		13.5	1/4		
		14			
		15			
		16			
		17.2	3/8		
G3	KELMR2811	19		11	1
		20			
		21.3	1/2		
		22			
		25			
G4	KELMR2811	26.9	3/4	11	1
		28			
		30			
G5	KELMR2811	32		11	1
		33.7	1		
		35			
		38			
		40			
G6	KELMR2811	42	1-1/4	11	1
		44.5			
		48,3	1-1/2		
		50,8			
G7	KELMR2811	54		11	1
		60.3	2		
		63.5			
		76.1	2-1/2		



Ray Somunu

Rail Nut



Ürün Kodu Product Code	Ölçü Tablosu / Dimension Table				
	L1	B	H1	H2	G
RSM6					
RSM6					
RSM6					
RSM6	25	10,4	13	5	M6 1/4-20 UNC
RSM6					
RSM6					
RSM6					

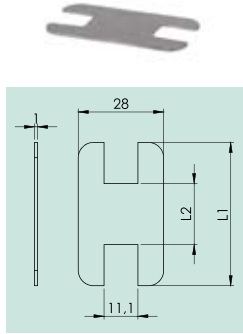




Ara Bağlantı Plakası

Safety Locking Plate

Grup Group	Ürün Kodu Product Code	Dış Çap O.D of Pipe mm	Boru Diş Nominal Bore Pipe Inches	L1	L2
G0	ABLST0	6	1/8	32	17
		8			
		10			
		12			
G1	ABLST1	6	1/8	34	7
		8			
		10			
		12			
G2	ABLST2	12.7	1/4	40	13
		13.5			
		14			
		15	3/8		
		16			
		17.2			
18					
G3	ABLST3	19	1/2	48	20
		20			
		21.3			
		22			
		25			
G4	ABLST4	26.9	3/4	57	27
		28			
		30			
G5	ABLST5	32	1	69	39
		33.7			
		35			
		38			
		40			
G6	ABLST6	42	1-1/4	85	52
		44.5			
		48.3			
		50.8			
G7	ABLST7	54	2	117	81
		60.3			
		63.5			
		76.1	2-1/2		

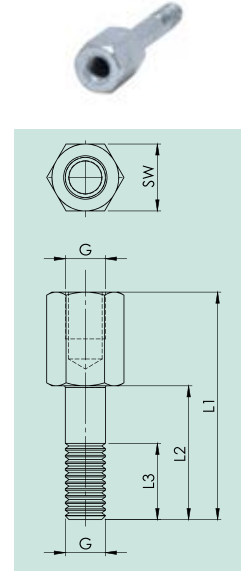


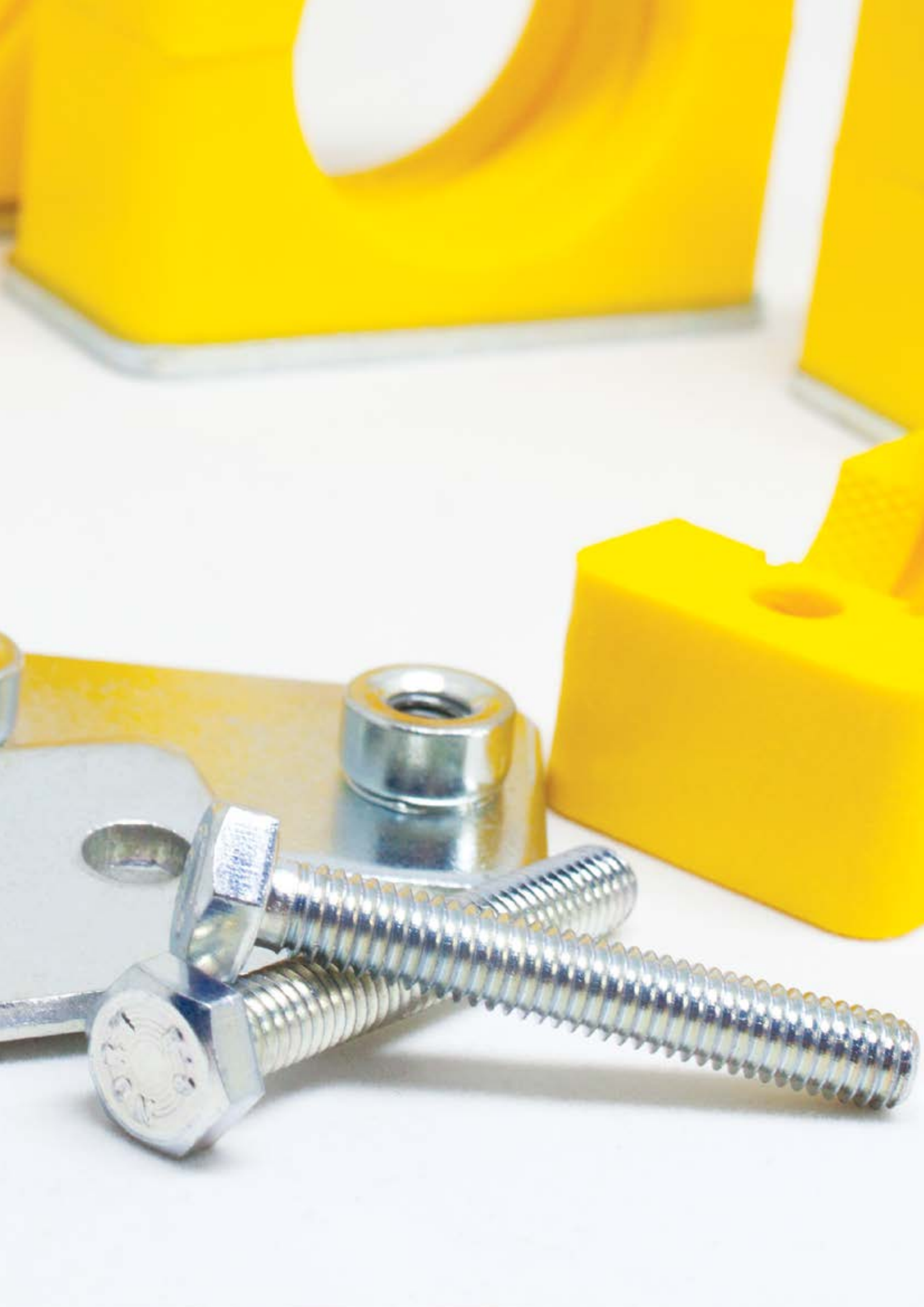
Arabağlantı Cıvatası

Stacking Bolt



Ürün Kodu Product Code	Ölçü Tablosu / Dimension Table			
	L1	L2	L3 min.	G
ABCST0	34	20	12	M6 1/4-20 UNC
ABCST1	34	20	12	M6 1/4-20 UNC
ABCST2	39	25	12	M6 1/4-20 UNC
ABCST3	44	30	12	M6 1/4-20 UNC
ABCST4	48	35	12	M6 1/4-20 UNC
ABCST5	64	50	12	M6 1/4-20 UNC
ABCST6	74	60	12	M6 1/4-20 UNC
ABCST7	102	88	12	M6 1/4-20 UNC

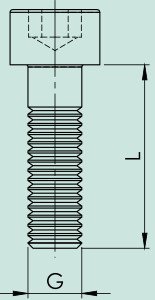






Gömme Başlı Civata

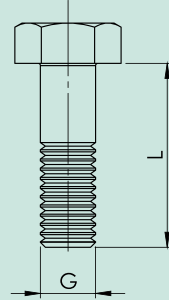
Socket Cap Screw
DIN 912 - ISO 4762



Grup Group	Ürün Kodu Product Code	Dış Çap O.D of Pipe mm	Boru Diş Nominal Bore Pipe Inches	GxL
G0	INCVT20	6		M6 x 20 1/4 - 20 UNC x 3/4
		8		
		10	1/8	
		12		
G1	INCVT25	6		M6 x 25 1/4 - 20 UNC x 1
		8		
		10	1/8	
		12		
G2	INCVT30	12.7		M6 x 30 1/4 - 20 UNC x 1-1/8
		13.5	1/4	
		14		
		15		
		16		
		17.2	3/8	
G3	INCVT35	19		M6 x 35 1/4 - 20 UNC x 1-3/8
		20		
		21.3	1/2	
		22		
		25		
G4	INCVT50	26.9	3/4	M6 x 50 1/4 - 20 UNC x 2
		28		
		30		
G5	INCVT60	32		M6 x 60 1/4 - 20 UNC x 2-1/2
		33.7	1	
		35		
		38		
		40		
		42	1-1/4	

Altı Köşe Başlı Civata

Hexagon Head Bolt
DIN 931 / 933 ISO 4014



Ürün Kodu Product Code	Ölçü Tablosu / Dimension Table
	GxL
ABCVT30	M6 x 30 1/4 - 20 UNC x 1-1/4
ABCVT35	M6 x 35 1/4 - 20 UNC x 1-3/8
ABCVT40	M6 x 40 1/4 - 20 UNC x 1-1/2
ABCVT45	M6 x 45 1/4 - 20 UNC x 1-7/8
ABCVT60	M6 x 60 1/4 - 20 UNC x 2-3/8
ABCVT70	M6 x 70 1/4 - 20 UNC x 2-3/4